

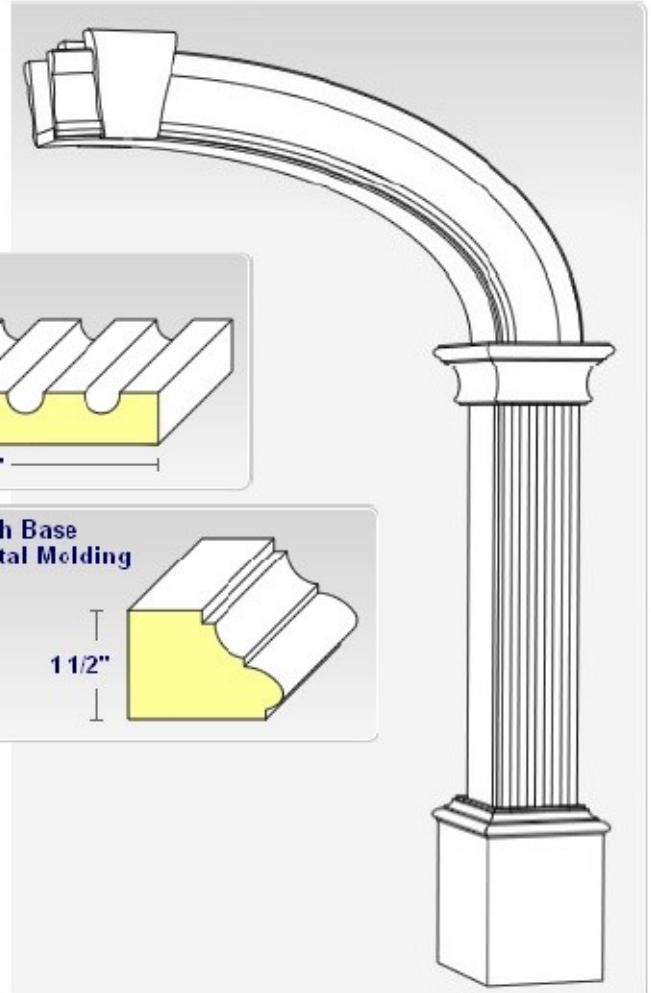
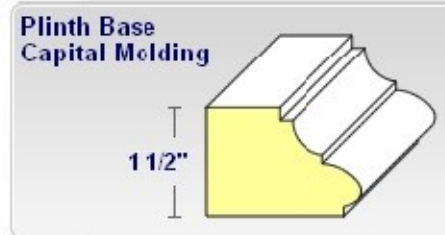
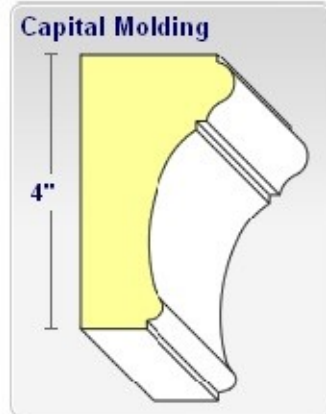
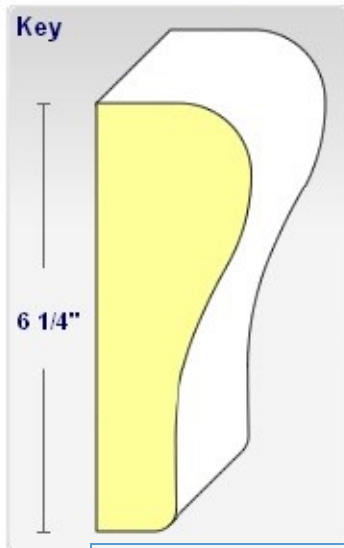
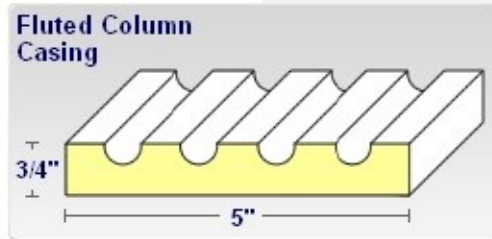


Model J from \$1,400

Arch Kit Includes:

- Assembled Arch Top with Keys
- 2 Assembled Columns w/ large cove capital and box bases with base cap
- Sheetrock Template
- 100% Solid Wood - Poplar (other stain-grade species available upon request)
- Available in Elliptical or Round Top Shapes

Arch Kit Parts Detail:



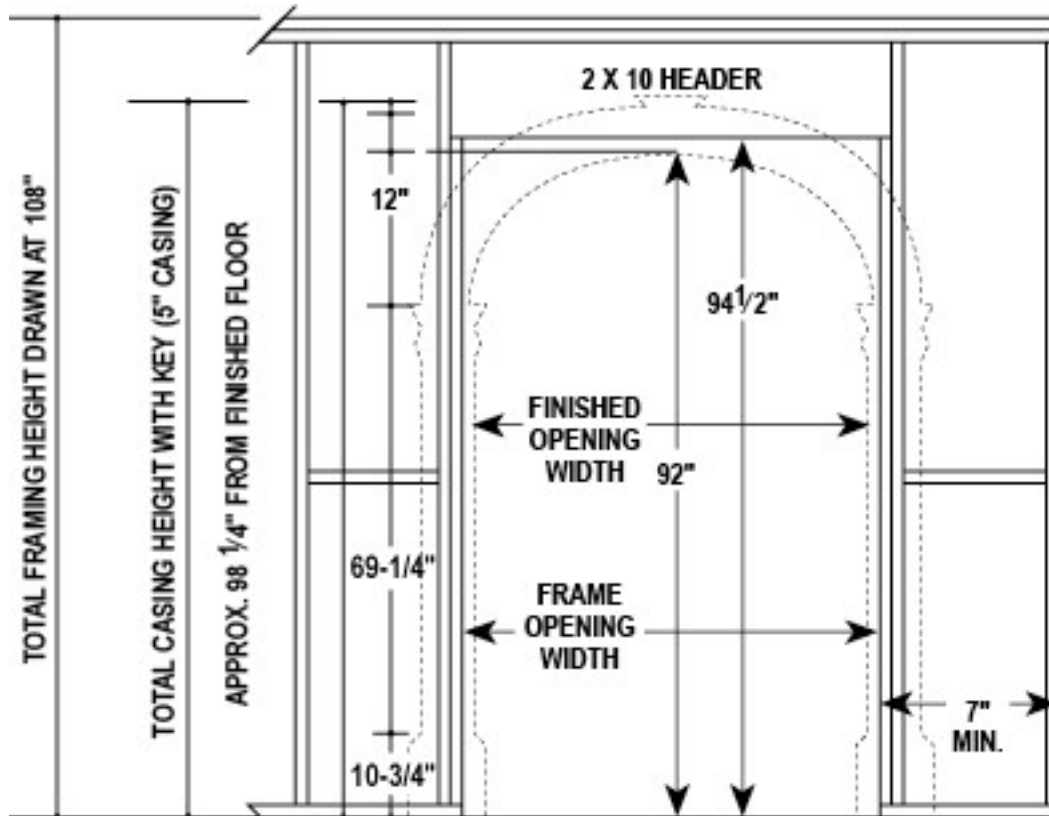
Finished Width Size	Elliptical Price	RoundTop Price
28, 30, 32, 34, 36, 40, 42, 45, 48	\$1,400.00	\$1,475.00
51, 54, 57, 60, 63, 66, 69, 72	\$1,485.00	\$1,600.00
75, 78, 81, 84, 87, 90, 93, 96	\$1,685 .00	N/A

Sizes Larger than 96" and in between sizes can be ordered! — call or email for pricing

Prices assume standard 4 5/8" jamba—CUSTOM SIZES MAY BE ORDERED (additional costs may apply)

Shipping/handling quoted on a per-order basis

Model J Framing Information



- Capital extends 1-1/4" from back edge of molding.
- Plinth Base capital extends 1-5/8" from back edge of column casing
- Light switch boxes should be mounted minimum of 6" from rough opening.
- *Subtract 12" off all vertical measurements when using 8' ceilings.
- Finished opening heights are standard 92" or 96" from finished floor for 9' ceilings and 80" for 8' ceilings.
- Minimum distance of framed opening to corner is 7". This allows for 3/4" thick baseboard with 1/2" return.
- Frame opening width is finished opening width +2". (38" framed opening for 36" finished opening)
- IMPORTANT FOR NEW CONSTRUCTION! To ensure proper sheetrock installation, toenail a 2x4 15" below the header height on both sides. No corner bracing is necessary.